

# VALVES ISO 5599/1, SOLENOID/PNEUMATIC, SERIES ISV



TECHNICAL DATA		ISO 1	ISO 2	ISO 3
Operating pressure:	bar			
• monostable	bar	from 2.5 to 10		
• bistable	bar	from 1 to 10		
• pilot-assisted	bar	from vacuum to 10		
Minimum pilot pressure	bar	2.5		
Operating temperature range	°C	from -10 to +60		
Nominal diameter	mm	7.5	12	15
Conductance C	NI/min · bar	250	657.14	971.43
Critical ratio b	bar/bar	0.36	0.25	0.43
Flow rate at 6 bar ΔP 0.5 bar	NI/min	700	1800	3200
Flow rate at 6 bar ΔP 1 bar	NI/min	1100	2700	4600
TRA / TRR monostable at 6 bar	ms	24 / 50	39 / 60	50 / 120
TRA / TRR bistable at 6 bar	ms	20 / 20	25 / 25	35 / 35
Solenoid pilot		Standards CNOMO		
Hand operator		Bistable on solenoid pilot Monostable on valve body		
Coils		30 mm side DIN 43650 Form A - ISO 4400 22 mm side		
Maximum coil nut torque	Nm	1		

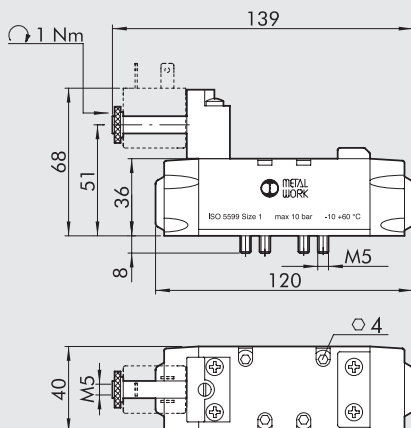


## SYNOPTIC, SIZES AND VERSION

ISV FAMILY		5 DIMENSIONS		3 FUNCTION		SO OPERATORS 14		S RESETTING (12)		OO FURTHER DETAILS	
ISV	solenoid/pneumatic	5	ISO 1	5	5/2	SO	solenoid	S	mechanical springs	OO	5/2
		6	ISO 2	6	5/3	SE	solenoid assisted	B	bistable	CC	closed centres
		7	ISO 3					D	differential	OC	open centres
								L	pneumatic spring	PC	pressure centres
								P	pneumatic control	SP	special
										◆ ML	hand lever operator

◆ Only available for size ISO 3

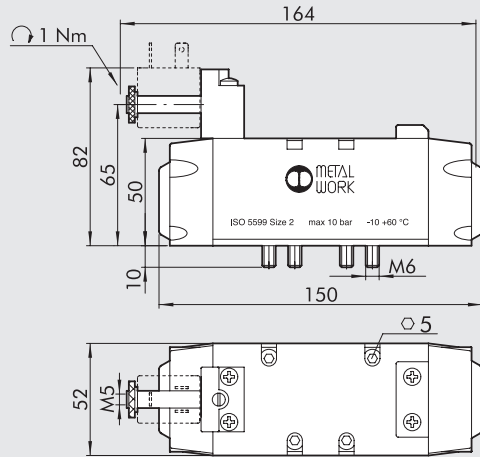
## MONOSTABLE 5/2, ISO 1 PNEUMATIC RETURN – PNEUMATIC SPRING



Symbol	Code	Abbrev.	Weight [g]
	7051021700	ISV 55 SOP OO	344
	8293307	ISV 55 SOL OO	344

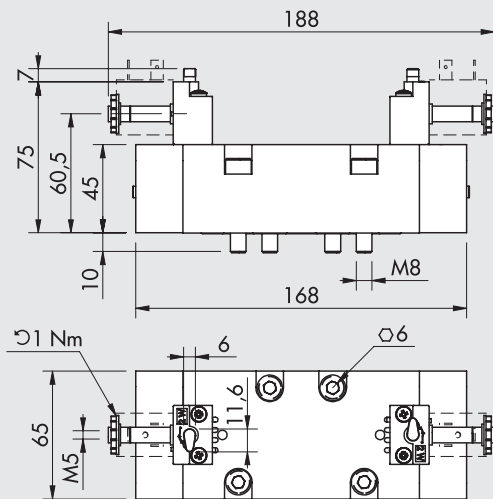
CUSTOM PRODUCTS VALVES ISO 5599/1, SOLENOID/PNEUMATIC, SERIES ISV

## MONOSTABLE 5/2, ISO 2 PNEUMATIC RETURN



Symbol	Code	Abbrev.	Weight [g]
	7052021700	ISV 65 SOP OO	715

## BISTABLE 5/2, ISO 3 WITH HAND LEVER OPERATOR



Symbol	Code	Abbrev.	Weight [g]
	88291B2	ISV 75 SOB ML	1230

## NOTES